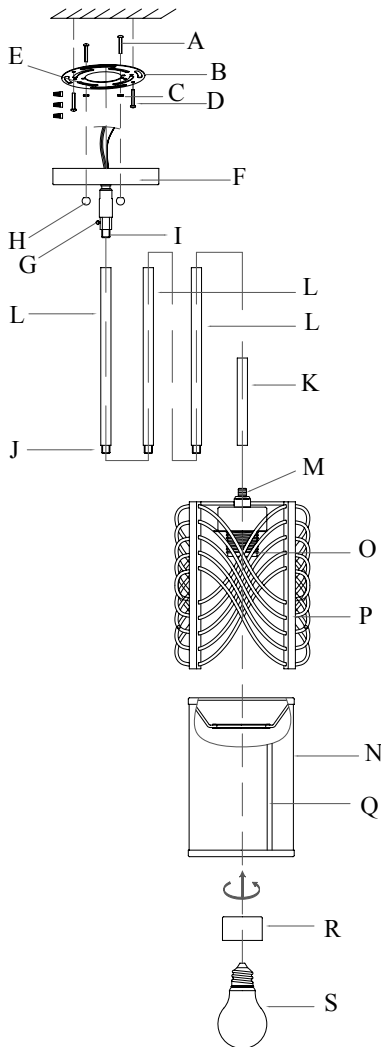


Assembly Instructions: 5516-M1L (Zara)

IMPORTANT:

- ALL INSTALLATION WORK SHOULD BE DONE BY ACCREDITED PROFESSIONAL.
- SHUT OFF POWER SUPPLY AT FUSE OR CIRCUIT BREAKER!
- USE ONLY THE SPECIFIED BULBS. DO NOT EXCEED THE MAXIMUM WATTAGE!

For Customer Service, contact the place of purchase to arrange for replacement parts.

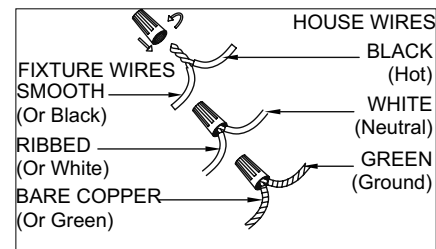


ASSEMBLING THE FIXTURE

Rods (K and L) are on the fixture's wires. By measuring, determine the correct number of rods needed for proper hanging height. There are 3 optional 12 inch rods (L) and a 6 inch rod (K) included. To lengthen the fixture, add additional rods. If additional rods are needed, contact the place of purchase to order. To shorten the fixture, trim the wires to the desired length adding at least 8 to 10 inches of wire to the desired length. Slide any excess rods off the fixture's wires to discard. Keep in mind that you must use at least the provided 6 inch rod (K) to hang the fixture. Thread the wires through the rods and pull the wires until taut before threading the rods together. Thread bottom rod (K) onto post (M) at the top of the socket. Twist the top rod (K or L) onto the threads of swivel post (I) of canopy (F). Lock the rod in place by twisting screw (G). Pull the fixture wires through the top of canopy (F).

CONNECTING THE WIRES

Support the weight of the fixture while completing the wiring. Attach the fixture's wires to the power supply wires from the junction box. Connect black to black (or smooth); white to white (or ribbed); ground to ground (green or copper). Twist the ends of the wire pairs together, and then twist on a wire connector. Make sure all twists are in the same direction. If there is no ground wire (green or copper) from the junction box, locate ground screw (E) on mounting strap (B) and wrap the fixture's ground wire around the green ground screw (E). Use a screwdriver to secure ground screw (E) onto mounting strap (B). Tuck all wires neatly into the junction box.



PREPARING FOR INSTALLATION

Carefully remove all of the contents from the carton. See the important notes above. Shut off the power at the circuit breaker and completely remove the old fixture from the ceiling, including the old mounting strap.

From the parts bag remove the mounting strap assembly. Mounting strap (B) contains several pairs of threaded holes. Find the pair of holes that matches the spacing of the holes on the junction box and the fixture's canopy. Two of mounting screws (A) should be attached to mounting strap (B). You may need to tighten nuts (C) that hold these screws in place. Pull the house wires through the center of mounting strap (B). Place mounting strap (B) over the junction box so that mounting screws (A) are vertical, and in alignment with the hole locations on the fixture's canopy (F). Secure mounting strap (B) to the junction box with mounting screws (D) and a screwdriver. Tighten the screws securely.

FINISHING THE INSTALLATION

Push canopy (F) up to the ceiling and tightly thread nuts (H) onto the exposed threads of mounting screws (A).

Slide fabric shade (N) into metal shade (P) and over socket (O). Make sure that connector (Q) lines up with the square tubes on metal shade (P). Secure shade (N) in place with socket ring (R).

Reach up through the bottom of the shade and install bulbs (S) (not provided) in accordance with the fixture's specifications. Do not exceed the maximum wattage.

Your installation is now complete. Turn on the power and test the fixture.

CLEANING TIPS

Treat the fixture gently! Regular cleaning will reduce the need for deep cleaning. For regular cleaning, turn off the light and wipe down the fixture with a clean lint-free cotton or microfiber cloth. Never spray cleaner directly onto the fixture.